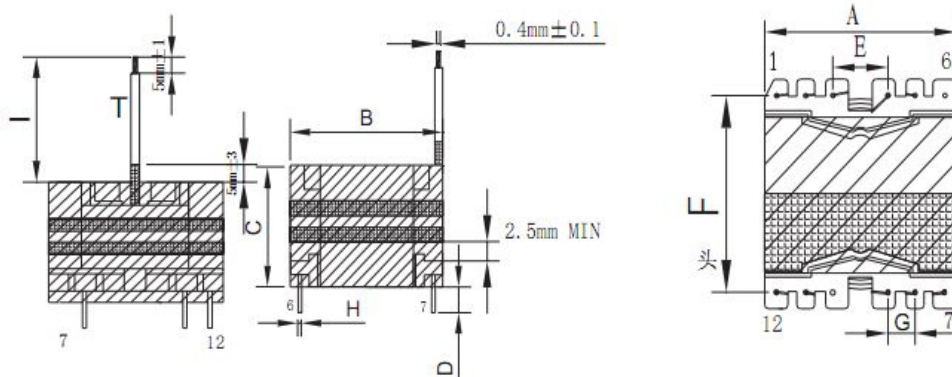


CUSTOMER TERMINAL	ROHS	Lead(Pb)-free
	YES	YES

1. Mechanical Dimensions



A	35.0	MAX
B	35.0	MAX
C	23.5	MAX
D	3.5	±0.5
E	7.6	±0.3
F	30.0	±0.4
G	5.0	±0.2
H	0.80	±0.1
I	43.0	±2.0

3. Material List

Core:FW44 PQ3220

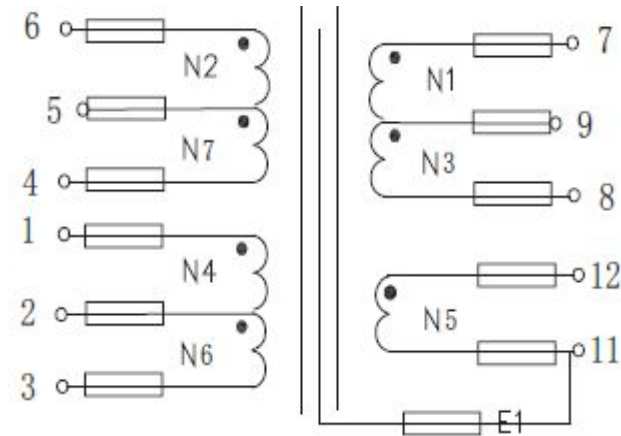
Bobbin:FWB3201-1(6+6PIN)

Wire:2UEW TIW

Copper foil:0.025t*8.0mm

Operating Temperature: -30 to115 °C

2. Schematic Diagram



4. Electrical Specification

Inductance : $L(6-4):700\mu H \pm 5\%$ 50KHZ , 1.0V

Leakage Inductance : $8\mu H$ MAX 50KHZ , 1.0V

DCR : $(6-4)=0.424\Omega$ MAX $(7-8)=144m\Omega$ MAX

Hi-Pot:P-S: AC 60Hz 4000V 2mA 3S

S-CORE: AC 60Hz 500V 2mA 3S

REV.	DATE	<p>Convention Placement</p>	DRW.		Drawing Title:	Part No:
0	00/00		CHK.			
ROHS			www.ferriwo.com	APP.		Customer P/N